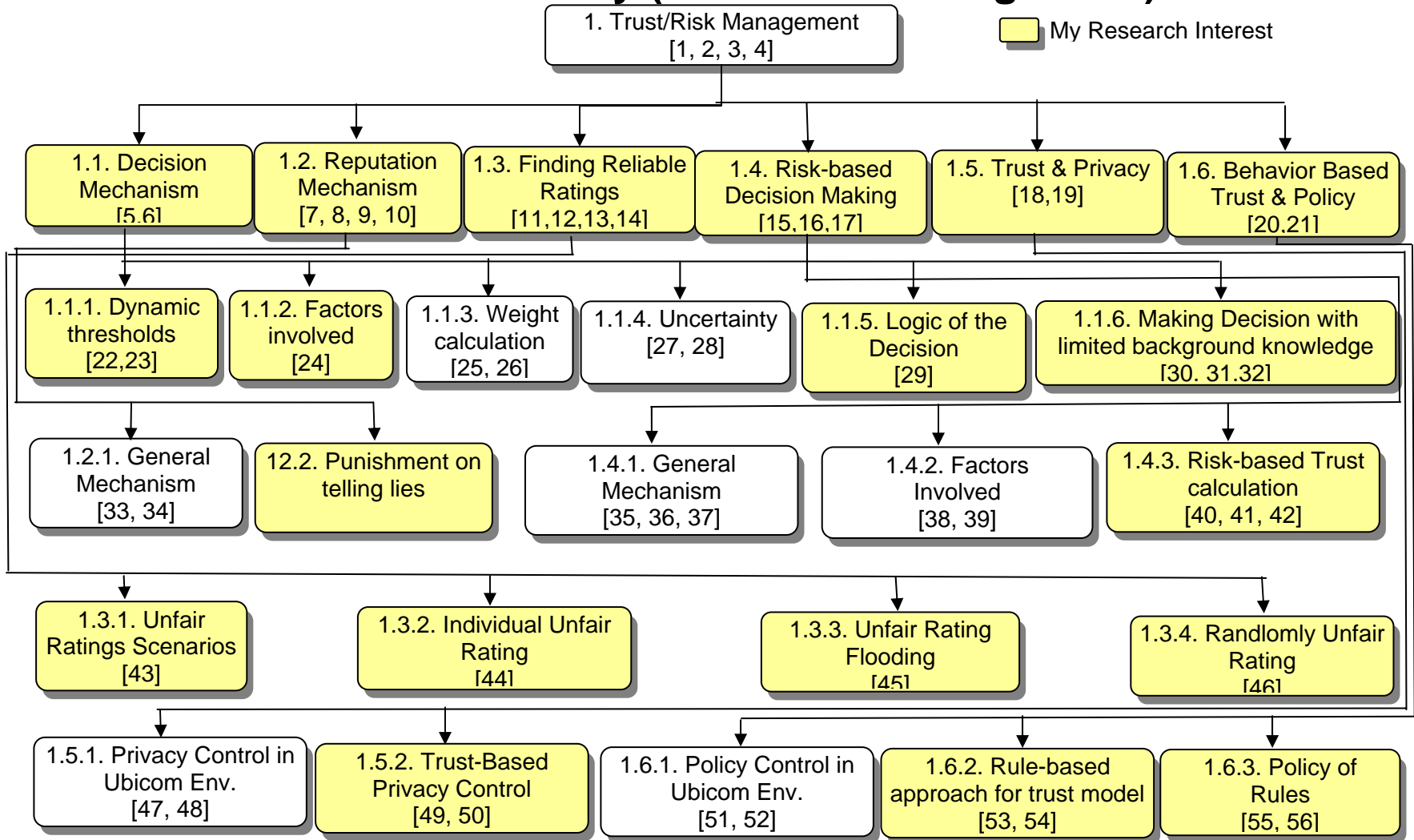


Research Taxonomy (Trust/Risk Management)



Bibliography (font Arial, size 20)

Trust/Risk Management Survey

- [0-1] Marsh, S. P.: Formalising Trust as a Computational Concept. Ph.D. Thesis, University of Stirling (1994)
- [0-2] Blaze, M., Feigenbaum, J., Lacy, J.: Decentralized trust management. In Proc. of the 1996 IEEE Symposium on Security and Privacy, (1996) 164-173
- [0-3] Ji Ma; Orgun, M.A: Trust management and trust theory revision. *Systems, Man and Cybernetics, Part A, IEEE Transactions on* Volume 36, Issue 3, May 2006 Page(s):451 – 460
- [0-4] Coppola, N.W.; Hiltz, S.R.; Rotter, N.G.; Building trust in virtual teams. *Professional Communication, IEEE Transactions on* Volume 47, Issue 2, June 2004 Page(s):95 – 104

Decision Mechanism

- [1-1] Fullam, K.K.; Jisun Park; Barber, K.S.; Trust-driven information acquisition for secure and quality decision-making. *Integration of Knowledge Intensive Multi-Agent Systems, 2005. International Conference on* April 18-21, 2005 Page(s):303 – 310
- [1-2] Guha, R., Kumar, R., Raghavan, P.: Propagation of trust and distrust. In Proc. of International Conference on World Wide Web, USA (2004) 403-412
- [1-3] J. Ma and M. A. Orgun: Trust Management and Trust Theory Revision. *Systems, Man and Cybernetics, Part A, IEEE Transactions on* 36 451--460 (2006)
- [1-4] Runfang Zhou and Kai Hwang, "PowerTrust: A Robust and Scalable Reputation System for Trusted Peer-to-Peer Computing," *IEEE Transactions on Parallel and Distributed Systems*, to appear, 2006.
- [1-5] Runfang Zhou and Kai Hwang, "Trusted Overlay Networks for Global Reputation Aggregation in P2P Grid Computing," 20th IEEE International Parallel & Distributed Processing Symposium (IPDPS'06), Greece, April 25-29, 2006.
- [1-6] Shanshan Song, Kai Hwang, and Yu-Kwong Kwok, "Trusted Grid Computing with Security Binding and Trust Integration," *Journal of Grid Computing*, volume 3, issue 1, 2005.
- [1-7] Shanshan Song, Kai Hwang, and Mikin Macwin, "Fuzzy Trust Integration for Security Enforcement in Grid Computing," in *Proceedings of IFIP International Conference on Network and Parallel Computing (NPC'04)*, Wuhan, China. October 18-20, 2004.
- [1-8] Ninghui Li, John C. Mitchell, and William H. Winsborough, "Design of A Role-based Trust-management Framework", *Proceedings of the 2002 IEEE Symposium on Security and Privacy*, May 2002.
- [1-9] Christian von der Weth, Klemens Boehm: A Unifying Framework for Behavior-based Trust Models. OTM 2006. To be appear
- [1-10] G. Theodorakopoulos and J. S. Baras: On Trust Models and Trust Evaluation Metrics for Ad Hoc Networks. *IEEE JOURNAL ON SELECTED AREAS IN COMMUNICATIONS* February 2006, Volume 24, Number 2

- [1-11] Y. L. Sun, W. Yu, Z. Han, and K. J. R. Liu: Information Theoretic Framework of Trust Modeling and Evaluation for Ad Hoc Networks. IEEE JOURNAL ON SELECTED AREAS IN COMMUNICATIONS February 2006, Volume 24, Number 2
- [1-12] Shanshan Song, Kai Hwang, and Yu-Kwong Kwok, "Trusted Grid Computing with Security Binding and Trust Integration," Journal of Grid Computing, volume 3, issue 1, 2005.
- [1-13] Tatyana Ryutov, Li Zhou, Clifford Neuman, Travis Leithead, and Kent E. Seamons, "Adaptive Trust Negotiation and Access Control," in Proceedings of the ACM Symposium on Access Control Models and Technologies (SACMAT'05), Scandic Hasselbacken, Stockholm, June 1-3, 2005.

Reputation Mechanism

- [2-1] Michiardi, P. and Molva, R.: A collaborative reputation mechanism to enforce node cooperation in mobile ad-hoc networks. In Proc. of IFIP Communication and Multimedia Security Conference, Portoroz (2002) 107-121
- [2-2] Ganeriwal, S. and Srivastava, M.B.: Reputation-based framework for high integrity sensor networks. In Proc. of ACM Workshop on Security of ad-hoc and sensor networks, USA (2004) 66-77
- [2-3] Castelfranchi, C., Falcone, R., Pezzulo, G.: Trust in Information Sources as a source for Trust: A Fuzzy Approach. In Proc. of the second international joint conference on Autonomous agents and multiagent systems, (2003) 89-96
- [2-4] Azzedin F, Maheswaran M. Trust modeling for peer-to-peer based computing systems. In: Proceedings of the International Parallel and Distributed Processing Symposium (IPDPS'03), 2003, IEEE
- [2-5] Scott E. Fahlman, Christian Lebiere, "The Cascade-Correlation Learning Architecture". Technical Report CMU-CS-90-100, School of Computer Science, Carnegie Mellon University
- [2-6] Damiani, Vimercati, Paraboschi, Samarati, and Violante, "A reputation-based approach for choosing reliable resources in peer-to-peer networks", 9th ACM CCS 2002

Finding Reliable Ratings

- [3-1] Girish Suryanarayana, Mamadou H. Diallo, Justin R. Erenkrantz, Richard N. Taylor: Architectural support for trust models in decentralized applications. Proceedings of the 28th International Conference on Software Engineering, pp. 52-61, Shanghai, China, May 2006.
- [3-2] COPPOLA Nancy W. ; HILTZ Starr Roxanne ; ROTTER Naomi G.: Building trust in virtual teams. IEEE transactions on professional communication 2004, vol. 47, n°2, pp. 95-104
- [3-3] Randell, B. Ryan, P.Y.A. : Voting Technologies and Trust. Security & Privacy Magazine, IEEE. Sept.-Oct. 2006, Volume: 4, Issue: 5, On page(s): 50- 56
- [3-4] A. Jøsang, Prospectives for Online Trust Management. Submitted to IEEE Transactions on Knowledge and Data Engineering.
- [3-5] C. Dellarocas, "The design of reliable trust management systems for electronic trading communities", MIT Working Paper
- [3-6] C. Dellarocas , "Building trust online: the design of robust reputation reporting mechanisms for online trading communities" A combined perspective on the digital era, Doukidis, G., Mylonopoulos, N. and Pouloudi, N. (Eds.), Idea Book Publishing (2004)

- [3-7] C. Dellarocas. "Immunizing online Reputation Reporting systems against unfair ratings and discriminatory behavior", In Proceedings of the ACM Conference on Electronic Commerce, pages 150--157, Minneapolis, Minnesota, USA, 2000
- [3-8] Chrysanthos Dellarocas , "Mechanisms for coping with unfair ratings and discriminatory behavior in online reputation reporting systems", In ICIS, pages 520--525, 2000

Risk-based Decision Making

- [4-1] DeMarco, T.; Lister, T.; Risk management during requirements. Software, IEEE Volume 20, Issue 5, Sept.-Oct. 2003
Page(s):99 - 101
- [4-2] Hong, J.I.; Minimizing security risks in ubicomp systems. Computer Volume 38, Issue 12, Dec. 2005 Page(s):118 - 119
- [4-3] Peltier, T.R.; Risk analysis and risk management. Engineering Management Review, IEEE Volume 33, Issue 1, First Quarter 2005 Page(s):49 – 49
- [4-4] Bin Yu, Munindar P. Singh, and Katia Sycara, "Developing trust large-scale peer-to-peer systems", First IEEE Symposium on Multiagent Security and Survivability, 2004
- [4-5] Ping Xu, Ji Gao, Hang Guo, "Rating Reputation: a necessary consideration in reputation mechanism", Proceedings of 2005 International Conference on Machine Learning and Cybernetics
- [4-6] Whitby, A., Josang, A. and Indulska, J. "Filtering out unfair ratings in Bayesian reputation systems", AAMAS 2004, New York, USA
- [4-7] Weihua Song, Vir V. Phoha, and Xin Xu, "An adaptive recommendation trust model in multiagent system", IEEE/WIC/ACM IAT'04
- [4-8] Weihua Song, Vir V. Phoha, "Neural network-based reputation model in a distributed system", pp. 321-324, 2004 IEEE International Conference on E-Commerce Technology (CEC'04), 2004
- [4-9] Hoecht, A.; Trott, P.; No trust, no risk, no gain: the role of trust and risk in technological strategic alliances. Management of Engineering and Technology, 1999. Technology and Innovation Management. PICMET '99. Portland International Conference on Volume 1, 25-29 July 1999 Page(s):45 vol.1
- [4-10] Hussain, O.K.; Chang, E.; Hussain, F.K.; Dillon, T.S.; Soh, B.; Risk in Trusted Decentralized Communications. 05-08 April 2005 Page(s):1198 - 1198 Digital Object Identifier 10.1109/ICDE.2005.275
- [4-11] Dimmock, N.;How much is "enough"? Risk in trust-based access control. Enabling Technologies: Infrastructure for Collaborative Enterprises, 2003. WET ICE 2003. Proceedings. Twelfth IEEE International Workshops on 9-11 June 2003 Page(s):281 – 282

Trust & Privacy

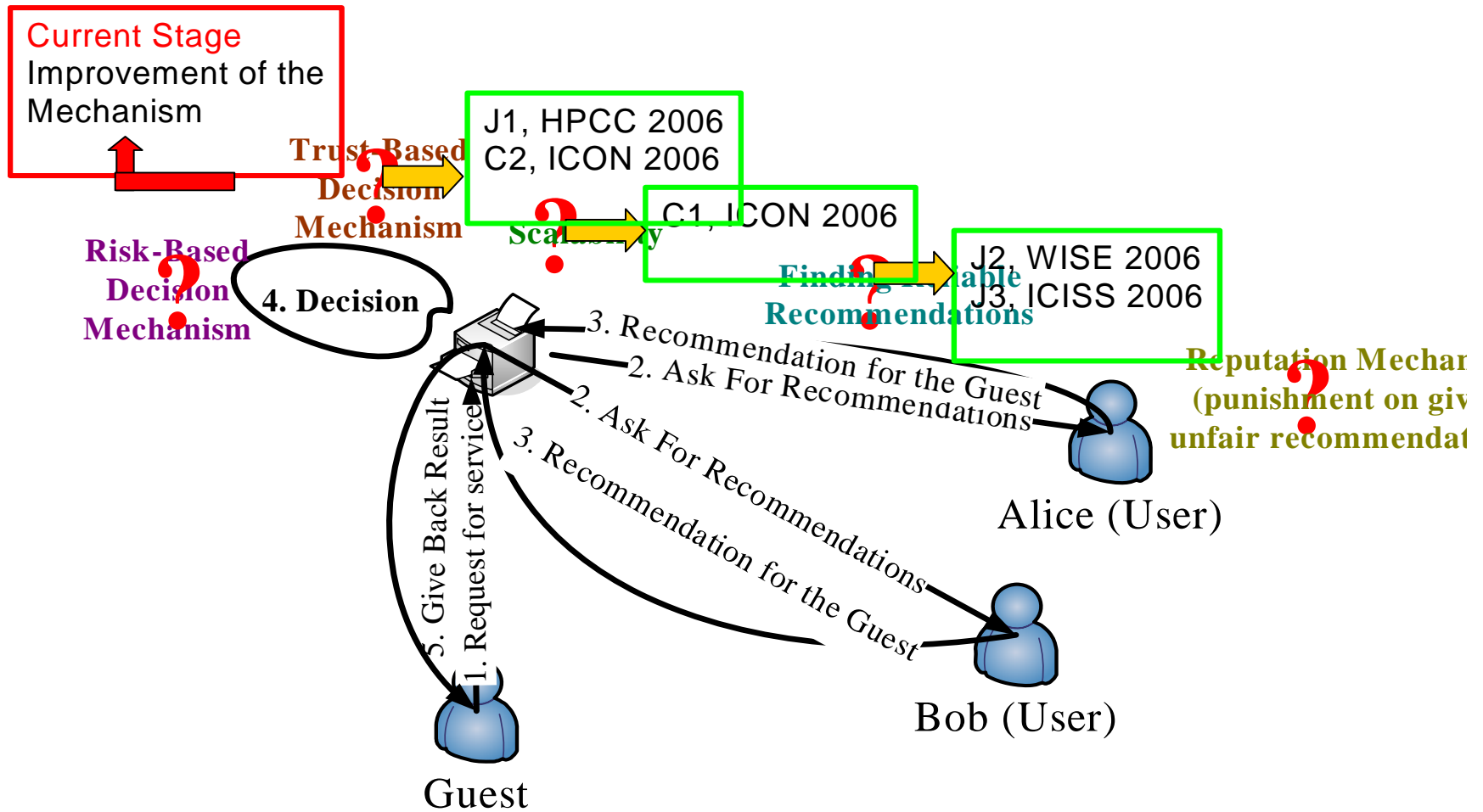
- [5-1] Carminati, B.; Ferrari, E.;Trusted Privacy Manager: A System for Privacy Enforcement. Data Engineering Workshops, 2005. 21st International Conference on 05-08 April 2005 Page(s):1195 – 1195

- [5-2] Wu, Z.; Weaver, A.C.; Dynamic trust establishment with privacy protection for Web services. Web Services, 2005. ICWS 2005. Proceedings. 2005 IEEE International Conference on 11-15 July 2005
- [5-3] Beckwith, R.; Designing for ubiquity: the perception of privacy. Pervasive Computing, IEEE. Volume 2, Issue 2, April-June 2003 Page(s):40 – 46
- [5-4] Kara, A.; Protecting privacy in remote-patient monitoring. Computer. Volume 34, Issue 5, May 2001 Page(s):24 - 27
- [5-5] Yi Lu; Weichao Wang; Bhargava, B.; Dongyan Xu; Trust-based privacy preservation for peer-to-peer data sharing. Systems, Man and Cybernetics, Part A, IEEE Transactions on Volume 36, Issue 3, May 2006 Page(s):498 – 502
- [5-6] Bertino, E.; Khan, L.R.; Sandhu, R.; Thuraisingham, B.; Secure knowledge management: confidentiality, trust, and privacy Systems, Man and Cybernetics, Part A, IEEE Transactions on Volume 36, Issue 3, May 2006 Page(s):429 - 438

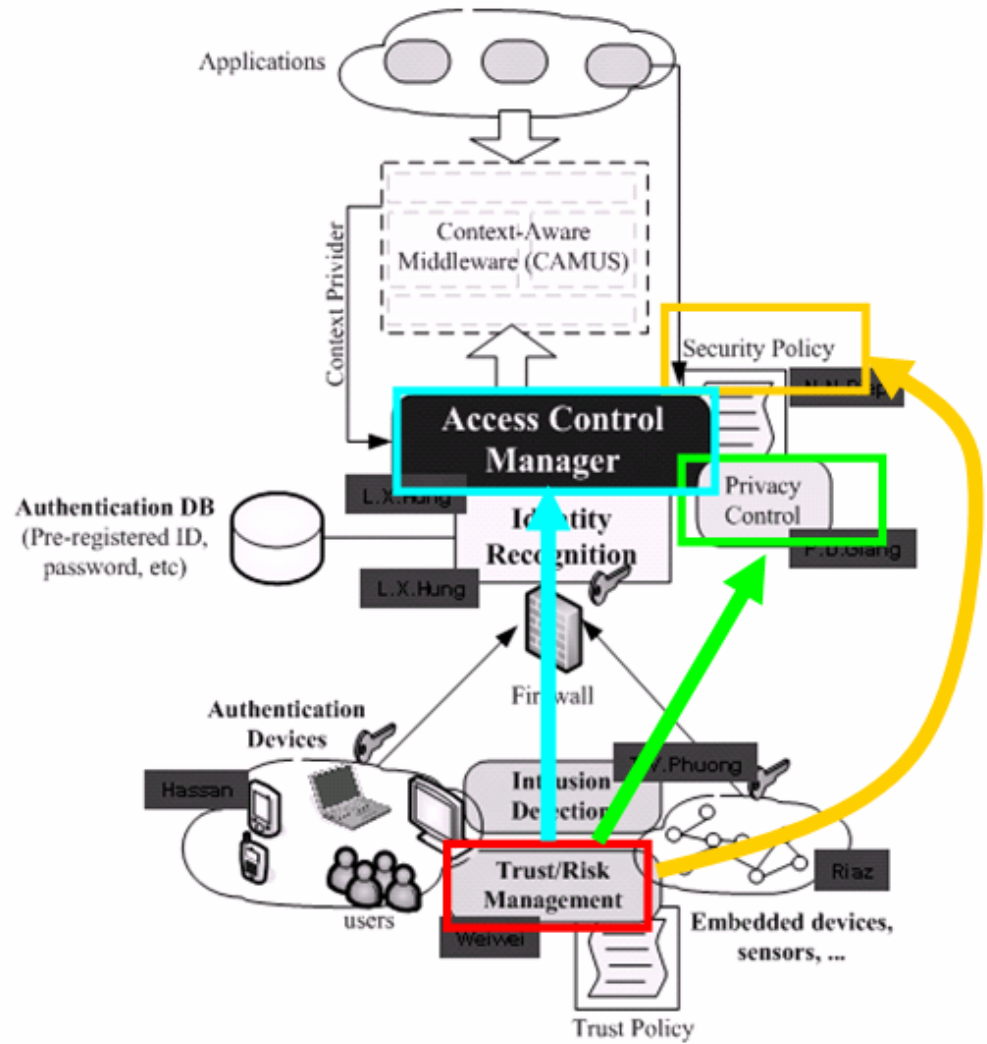
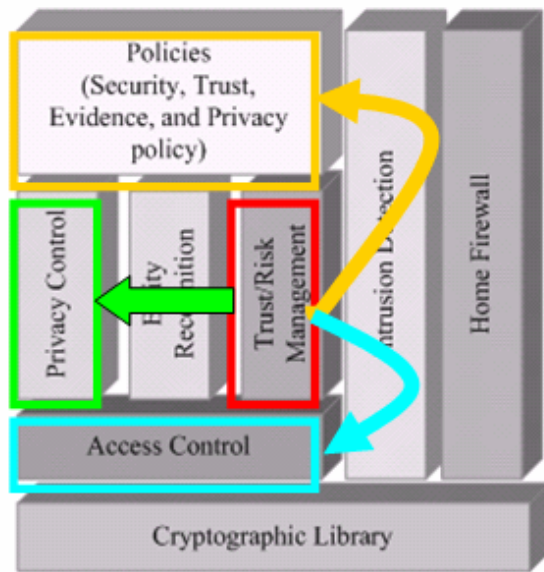
Behavior Based Trust & Policy

- [6-1] YU B, SINGH M P. Detecting deception in reputation management. Proceedings of Second International Joint Conference on Autonomous Agents and Multi-agent Systems. Melbourne, Australia, 2003.
- [6-2] A. Whitby, A. Jøsang and J. Indulska. Filtering Out Unfair Ratings in Bayesian Reputation Systems. The Information Journal of Management Research, 4(2), pp.48-64, February 2005.
- [6-3] Zhou Ying; Xiao Debao; Mobile agent-based policy management for wireless sensor networks. Wireless Communications, Networking and Mobile Computing, 2005. Proceedings. 2005 International Conference on Volume 2, 23-26 Sept. 2005 Page(s):1207 – 1210
- [6-4] Yee, G.; Using privacy policies to protect privacy in UBICOMP. Advanced Information Networking and Applications, 2005. AINA 2005. 19th International Conference on Volume 2, 28-30 March 2005 Page(s):633 - 638 vol.2
- [6-5] Minami, K.; Kotz, D.; Secure Context-Sensitive Authorization. Pervasive Computing and Communications, 2005. PerCom 2005. Third IEEE International Conference on 8-12 March 2005 Page(s):257 - 268
- [6-6] Chen Song; She Kun; Zhou Ming-Tian; Simplified authority model of partition rule based access control. Parallel and Distributed Computing, Applications and Technologies, 2003. PDCAT'2003. Proceedings of the Fourth International Conference on 27-29 Aug. 2003 Page(s):245 - 248
- [6-7] Alves, M.; Damasio, C.V.; Nejd, W.; Olmedilla, D.; A distributed tabling algorithm for rule based policy systems. Policies for Distributed Systems and Networks, 2006. Policy 2006. Seventh IEEE International Workshop on 5-7 June 2006 Page(s):10 pp.
- [6-8] Shankar, C.; Campbell, R.; A Policy-based Management Framework for Pervasive Systems using Axiomatized Rule-Actions. Network Computing and Applications, Fourth IEEE International Symposium on 27-29 July 2005 Page(s):255 - 258

Trust Architecture



Collaboration Within Group



Milestones For Trust/Risk Management

